

Precast Concrete MANHOLES

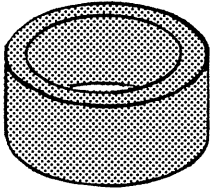
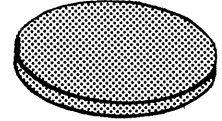


**Use
Cast-iron Manhole Cover**

Can be used with or without
cast iron adjusting shims.

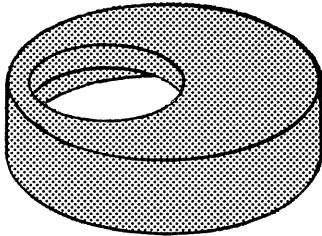
Terminology of Parts used in assembling Manholes

**or
Concrete Access Lid**



Manhole Riser (24" ID)

Available in heights 2" to 12"

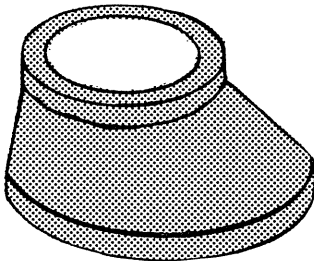


Traffic Lid (flat top)

for use with manhole sections
without cone section.

(cone use optional)

For steps and other
accessories see "Vault
Accessories" and
"Vault Option" sheets



**Eccentric Cone Section
w/ 24" Diameter Access
Heights**

**24", 32" or 36" (48" ID)
36" (60" ID)**

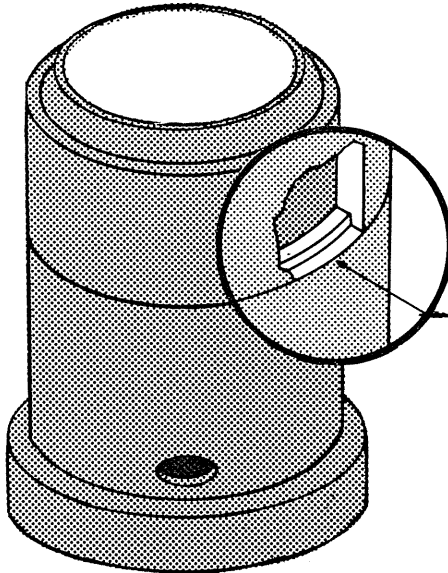
Inside Diameter Sizes

48" - 60" - 72" - 90"

48" & 60" sections available in 1', 2', 3' or 4' heights

72" & 90" sections
are manufactured to achieve desired height

Holes cast in sections
for steps - 12" apart.



Tongue-and-groove joints

Special Order sections with
piping holes, gaskets

bottom sections available with
extended bases

**vaughn
concrete products, inc.**

UPDATED 11/97

12650 Tucson Street • Henderson, Colorado 80640 • 303-659-3747, Fax 303-659-1333
2671 So. Greeley Hwy • Cheyenne, Wyoming 82007 • 307-634-0695, Fax 307-634-0694
10021 Amarillo Blvd. East • Amarillo, Texas 79107 • 806-374-3747, Fax 806-335-3717