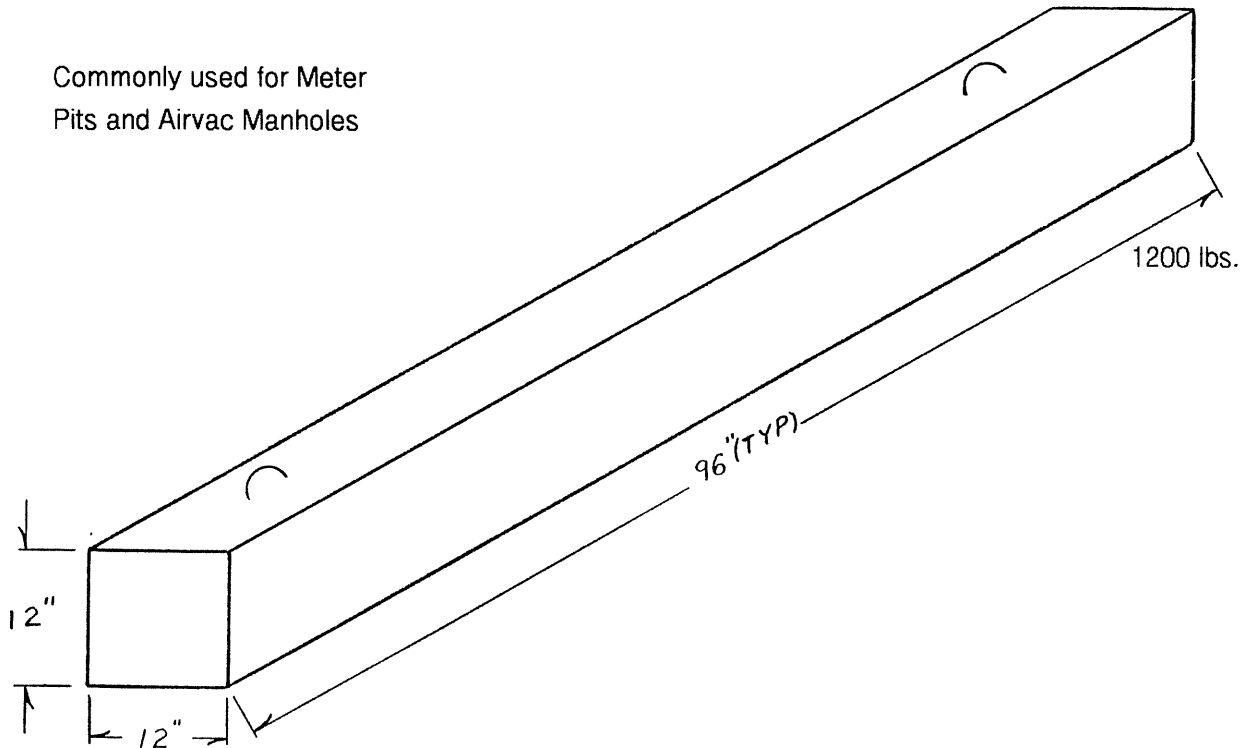


Precast Concrete

FOOTING BLOCK

May be used with
any size manhole

Commonly used for Meter
Pits and Airvac Manholes



Reinforced with
2 - #4 bars
minimum

Concrete 4000 P.S.I (Minimum)

Actual dimensions of concrete products may vary slightly

vaughn
concrete products, inc.

UPDATED 11/97

12650 Tucson Street • Henderson, Colorado 80640 • 303-659-3747, Fax 303-659-1333
2671 So. Greeley Hwy • Cheyenne, Wyoming 82007 • 307-634-0695, Fax 307-634-0694
10021 Amarillo Blvd. East • Amarillo, Texas 79107 • 806-374-3747, Fax 806-335-3717