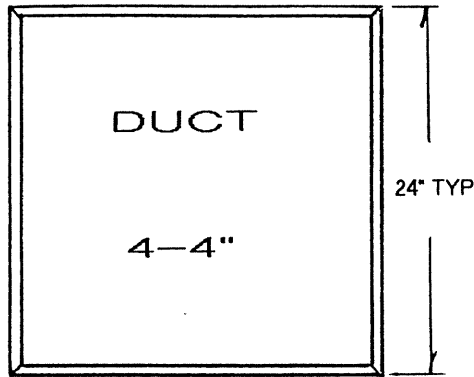


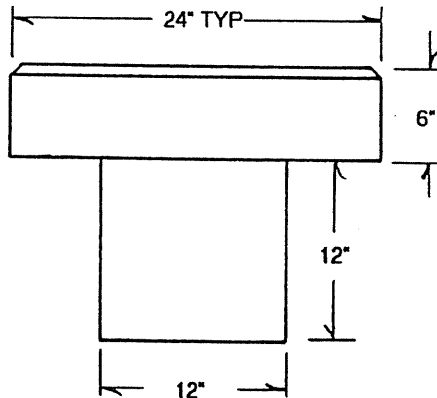
Precast Concrete  
**DUCT MARKER**



Plan View

Lettering imprinted as required.

Approximately 1/4" Deep, 1/2" Wide, 4" Tall



Side View

Weight: 420 lbs.

4000 PSI concrete  
Wire mesh & rebar reinforced  
3/4 PVC conduit cast in top slab to facilitate lifting

Actual dimensions of concrete products may vary slightly.

**vaughn**  
**concrete products, inc.**

12650 Tucson Street • Henderson, Colorado 80640 • 303-659-3747, Fax 303-659-1333  
2671 So. Greeley Hwy • Cheyenne, Wyoming 82007 • 307-634-0695, Fax 307-634-0694  
10021 Amarillo Blvd. East • Amarillo, Texas 79107 • 806-374-3747, Fax 806-335-3717