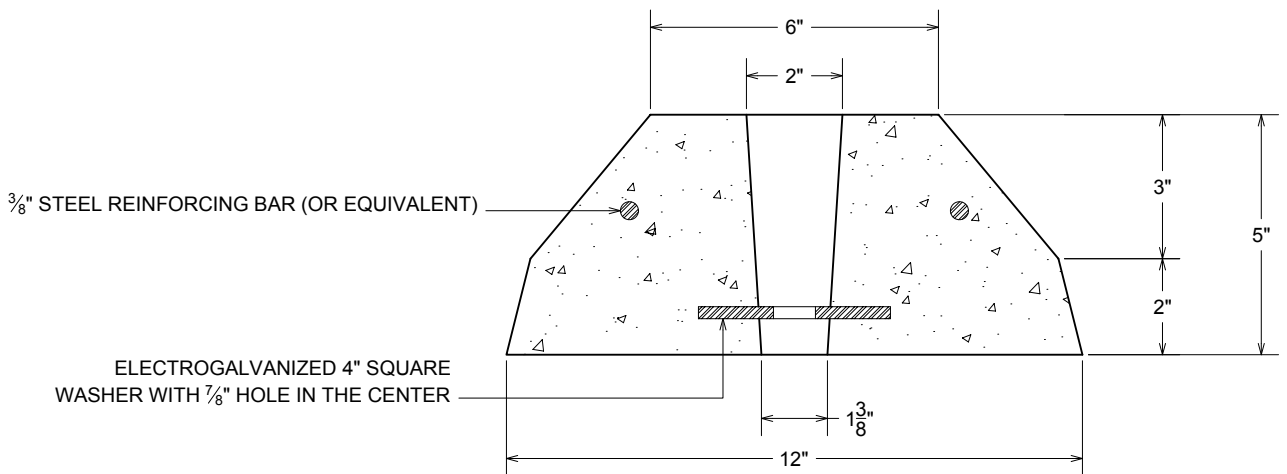
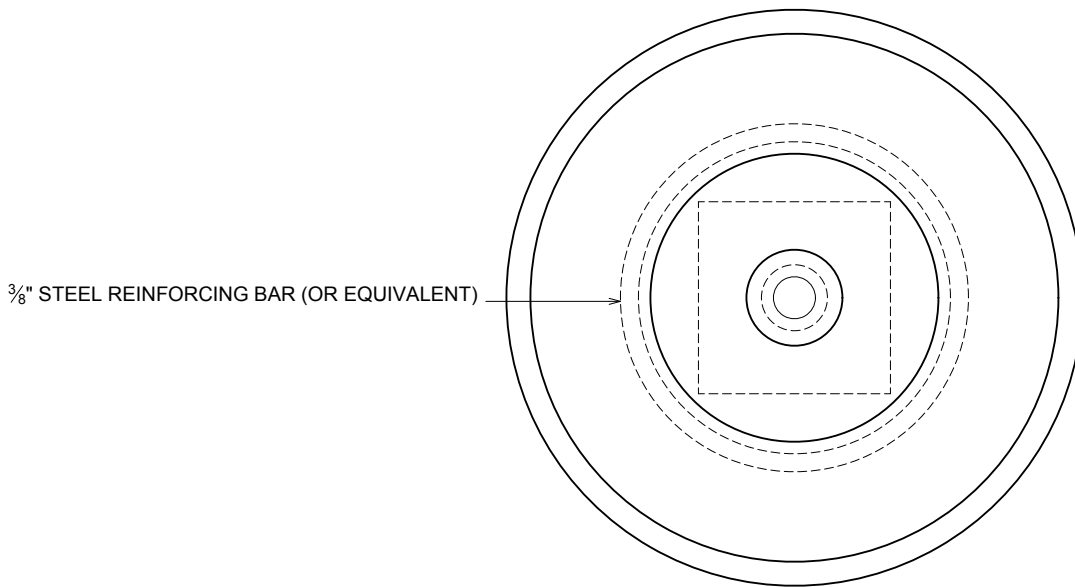


PRECAST CONCRETE

# CONE ANCHOR - 12"

MEETS MOST PUBLIC SERVICE COMPANY SPECIFICATIONS



**WEIGHT:**

- CONE ANCHOR WEIGHS APPX. 34 LBS.

**NOTES:**

- CONCRETE: 4000 P.S.I. MINIMUM
- REINFORCING: GRADE 60 MINIMUM

ACTUAL DIMENSIONS OF CONCRETE PRODUCTS MAY VARY SLIGHTLY



DRAWING NOT TO SCALE

CONE ANCHOR-12.DWG  
DATE CREATED: 10/10  
UPDATED: -----

12650 Tucson Street • Henderson, Colorado 80640 • 303-659-3747, Fax 303-659-1333  
2671 South Greeley Hwy • Cheyenne, Wyoming 82007 • 307-634-0695, Fax 307-634-0694  
10021 Amarillo Blvd East • Amarillo, Texas 79108 • 806-374-3747, Fax 806-335-3717

[www.vaughnconcreteproducts.com](http://www.vaughnconcreteproducts.com)