

PRECAST CONCRETE ABOVE GROUND (AG)

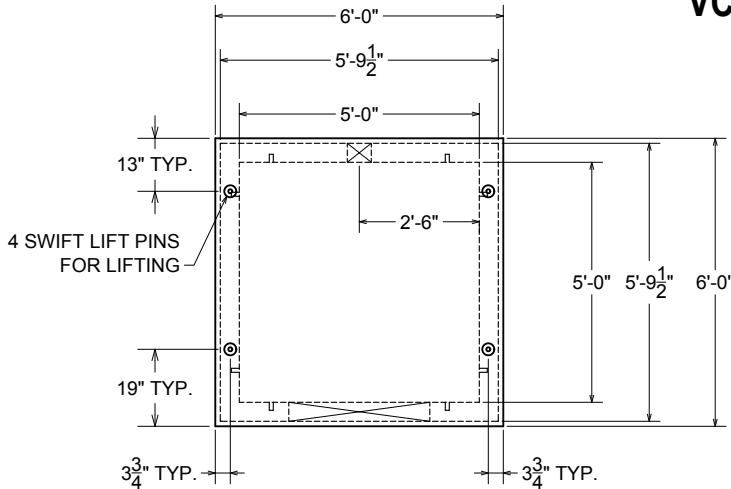
# STORM SHELTER

LOCALLY MANUFACTURED, PRECAST CONCRETE SHELTER WITH STEEL DOOR,  
**BOTH CERTIFIED TO MEET NSSA STANDARD**

5'-0" (60") WIDE X 5'-0" (60") LONG X 6'-6½" (78½") HIGH INSIDE DIMENSIONS

**VCP ITEM #SS-505065-AG (8 PERSON)**

SHEET 1 OF 2

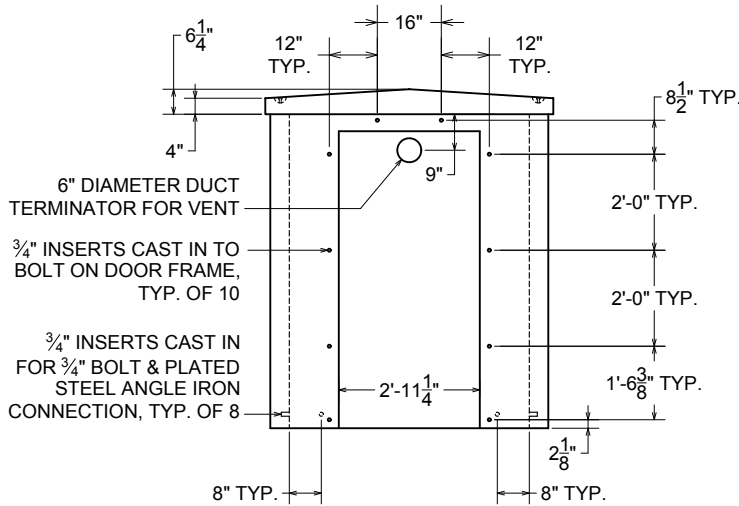


**PLAN VIEW**

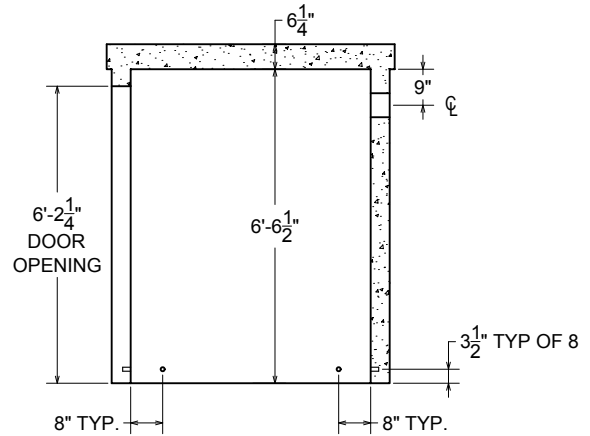


SHELTER ABOVE SHOWN WITH PRECAST CONCRETE BASE AS DETAILED ON SHEET 2 OR THE SHELTER CAN BE SOLD WITHOUT PRECAST CONCRETE BASE & PLACED ON CUSTOMER'S 9'x9'x8" THICK CAST-IN-PLACE PAD & SECURED WITH ¾" ANCHORS

**STORM SHELTER ALSO PROVIDED WITH:**  
 STEEL DOOR CERTIFIED TO MEET NSSA STANDARD  
 STEEL DEFLECTOR PLATE OVER THE 6" DUCT TERMINATOR FOR VENT (NOT SHOWN)



**ELEVATION VIEW**



**SECTION VIEW**

UNIT WITH PAD & DOOR WEIGHS APPROXIMATELY 16,000 LBS.

\*ACTUAL DIMENSIONS OF CONCRETE PRODUCTS MAY VARY SLIGHTLY  
 \*PRODUCT & DRAWING SUBJECT TO CHANGE WITHOUT NOTICE

**NOTES:**

- CONCRETE: 5,000 P.S.I. (MINIMUM)
- REINFORCING: GRADE 60; EQUAL TO #4 REBARS @ 12" O.C.E.W. (MIN.)
- SEE STRUCTURAL DESIGN FOR COMPLETE REINFORCING DETAILS
- EXTERIOR WALLS PROVIDED WITH VERTICALLY ORIENTED BARNWOOD FINISH

DRAWING NOT TO SCALE



SS-505065-AG.DWG  
 DATE CREATED: 7/12  
 UPDATED: 4/13

12650 Tucson Street • Henderson, Colorado 80640 • 303-659-3747, Fax 303-659-1333  
 2671 South Greeley Hwy • Cheyenne, Wyoming 82007 • 307-634-0695, Fax 307-634-0694  
 10021 Amarillo Blvd East • Amarillo, Texas 79108 • 806-374-3747, Fax 806-335-3717

[www.vaughnconcreteproducts.com](http://www.vaughnconcreteproducts.com)

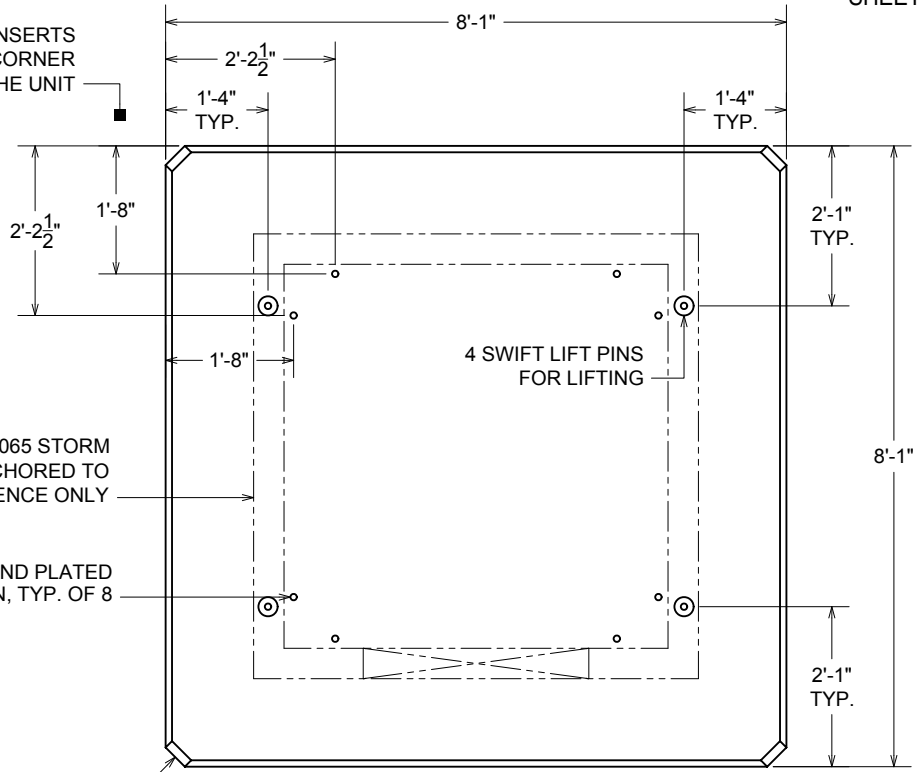
PRECAST CONCRETE ABOVE GROUND (AG)

# STORM SHELTER PAD

8'-1" WIDE X 8'-1" LONG X 7½" THICK OVERALL DIMENSIONS  
TO BE USED WITH THE VCP-SS-505065-AG STORM SHELTER

SHEET 2 OF 2

ALL DIMS ARE TO CENTERLINE OF INSERTS  
AND ARE TYP. FOR EACH CORNER  
MEASURED AT THE BOTTOM OF THE UNIT

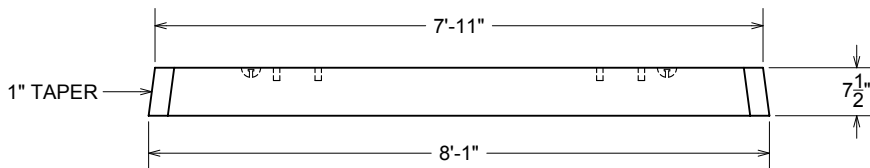


FOOTPRINT OF VCP-SS-505065 STORM  
SHELTER SHOWN AFTER IT IS ANCHORED TO  
THE SLAB; SHOWN FOR REFERENCE ONLY

¾" INSERTS CAST IN FOR ¾" BOLT AND PLATED  
STEEL ANGLE IRON CONNECTION, TYP. OF 8

3" HAUNCH, TYP. EACH CORNER

PLAN VIEW



SECTION VIEW

### WEIGHTS:

- PAD WEIGHS APPX. 6,100 LBS.

### NOTES:

- CONCRETE: 5,000 P.S.I. (MINIMUM)
- REINFORCING: GRADE 60; EQUAL TO #4 REBARS @ 12" O.C.E.W. (MINIMUM)
- SEE STRUCTURAL DESIGN FOR COMPLETE REINFORCING DETAILS
- COLOR: STANDARD GRAY CONCRETE
- FINISH: SMOOTH HAND TROWEL FINISH

ACTUAL DIMENSIONS OF CONCRETE PRODUCTS MAY VARY SLIGHTLY

**PAD DELIVERED USING A SEMI-TYPE BOOM TRUCK  
WITH LIMITED REACH; SUFFICIENT ACCESS IS  
NECESSARY TO SET THE PAD IN PLACE**

**PAD CAN BE DELIVERED & SET IN PLACE ON A  
LEVEL & PROPERLY PREPARED SHELTER LOCATION  
IN AN AREA NOT SUBJECT TO FLOODING**



DRAWING NOT TO SCALE

STORM SHELTER PAD, 505065-AG.DWG  
DATE CREATED: 7/12  
UPDATED: 4/13

12650 Tucson Street • Henderson, Colorado 80640 • 303-659-3747, Fax 303-659-1333  
 2671 South Greeley Hwy • Cheyenne, Wyoming 82007 • 307-634-0695, Fax 307-634-0694  
 10021 Amarillo Blvd East • Amarillo, Texas 79108 • 806-374-3747, Fax 806-335-3717

[www.vaughnconcreteproducts.com](http://www.vaughnconcreteproducts.com)