

# PRECAST CONCRETE LARGE WELL PIT

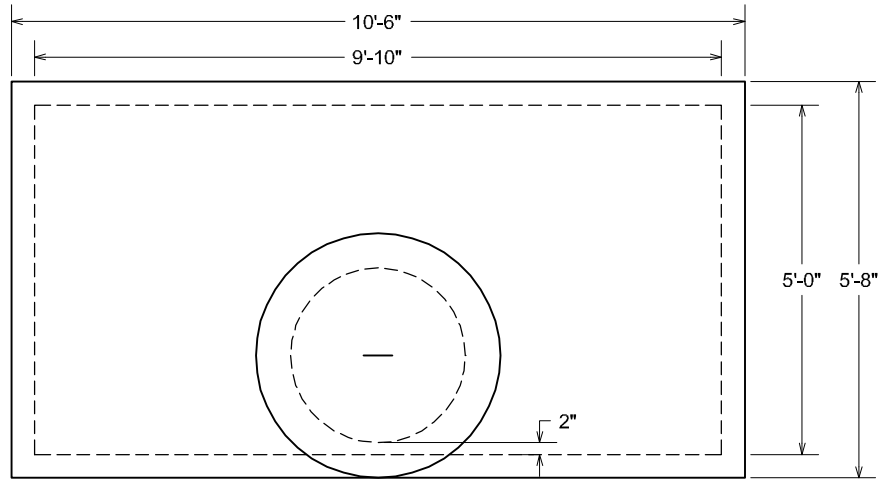
**STANDARD UNIT  
NOT FOR TRAFFIC LOADINGS**

**4" THICK FLOOR,  
WALLS\* & ROOF**

\*WALLS TO TAPER SLIGHTLY TO  
LESS THICKNESS AT THE JOINT

**OPTIONS:**

- 30" I.D. (36" O.D.) X 12" TALL WELL PIT RISER
- 36" DIAMETER CONCRETE ACCESS LID
- 30" DIAMETER CAST IRON RING & COVER TO SET ON TOP OF LID OPENING
- 18" TALL SPACER FOR INCREASED INSIDE HEIGHT

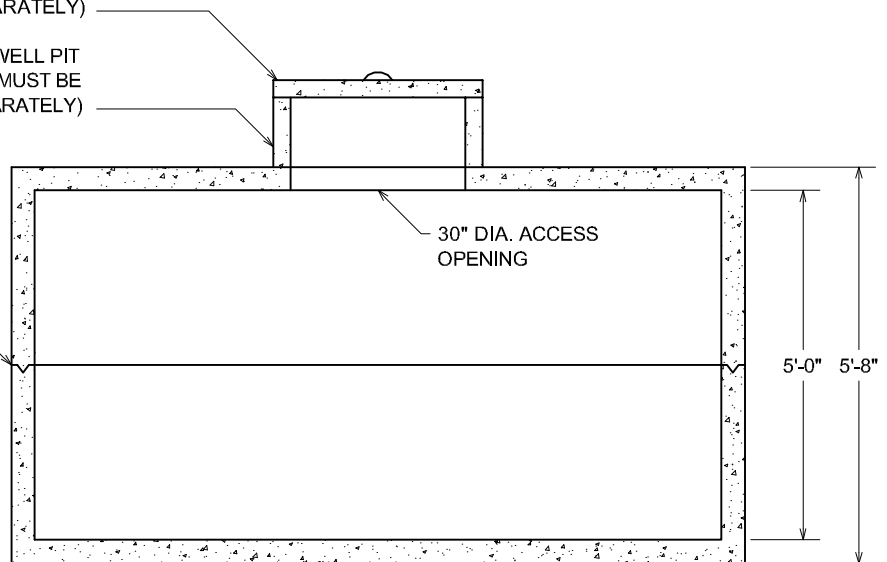


PLAN VIEW

36" DIAMETER CONCRETE ACCESS LID TO  
FIT OVER 30" DIAMETER ACCESS OPENING  
(OPTIONAL ITEM, MUST BE ORDERED  
SEPARATELY)

30" I.D. (36" O.D.) X 12" TALL WELL PIT  
RISER (OPTIONAL ITEM, MUST BE  
ORDERED SEPARATELY)

JOINT SEALANT PLACED  
BETWEEN SECTIONS



SECTION VIEW

EXCAVATION TO BE PROPERLY PREPARED  
WITH SUITABLE MATERIAL TO PLACE  
STRUCTURE ONTO

**WELL PIT WEIGHTS:**

WELL PIT WEIGHT AS SHOWN : 13,200 LBS.  
OPTIONAL SPACER WEIGHT : 2,300 LBS.

CONCRETE : 4,000 P.S.I. (MINIMUM)  
REINFORCING : REBAR & WELDED WIRE FABRIC

ACTUAL DIMENSIONS OF CONCRETE PRODUCTS MAY VARY SLIGHTLY

DRAWING IS NOT TO SCALE

**Vaughn  
concrete products, inc.**

LARGE WELL PIT.DWG  
DATE CREATED: 12/06  
UPDATED: -----

12650 Tucson Street • Henderson, Colorado 80640 • 303-659-3747, Fax 303-659-1333  
2671 South Greeley Hwy • Cheyenne, Wyoming 82007 • 307-634-0695, Fax 307-634-0694  
10021 Amarillo Blvd East • Amarillo, Texas 79108 • 806-374-3747, Fax 806-335-3717